

MACHINE SPECIFICATIONS :

Description/Model	FB-5160	FB-5180	FB-51120	FB-51160	FB-51200	FB-51240
WORKING CAPACITY						
Swing over bed	1300 mm					
Center height	650 mm					
Swing over cross slide	900 mm					
Dis. between centers	1700 mm	2200 mm	3200 mm	4200 mm	5200 mm	6200 mm
Width of bed	770 mm					
HEADSTOCK						
Spindle speeds (rpm)	H:750-151 M:150-31 L:30-6	H:560-111 M:110-21 L:20-4	H:270-54 M:53-11 L:10-2	H:215-43 M:42-9 L:8-1.5	H:155-31 M:30-7 L:6-1.2	
Spindle nose	A2-11	A2-15	A2-20	A2-28	A2-28	
Spindle bore	155 mm(6")	230 mm(9")(opt.)	305 mm(12")(opt.)	410 mm(16")(opt.)	510 mm(20")(opt.)	
SADDLE						
Longitudinal travel (Z-axis)	1700 mm	2200 mm	3200 mm	4200 mm	5200 mm	6200 mm
Cross slide travel (X-axis)	680 mm					
Ball screw (Dia. x pitch)	X: Ø40 x 8 mm, Z: Ø80 x 10 mm					
TAILSTOCK						
Quill dia.	165 mm					
Quill travel	300 mm					
Taper	MT#6					
	Build In Type Quill					
MOTOR						
Spindle motor	22/33 KW , 28/42 KW(opt.)					
Z-axis drive motor	39.7 NM					
X-axis drive motor	17.3 NM					
Coolant pump motor	6 Bar					
X, Z FEED						
Z-axis rapid travel	7 m/min					
X-axis rapid travel	5 m/mim					
MACHINE WEIGHT						
N.W. (Approx.)	12000 kgs	12800 kgs	14400 kgs	16000 kgs	17600 kgs	19200 kgs

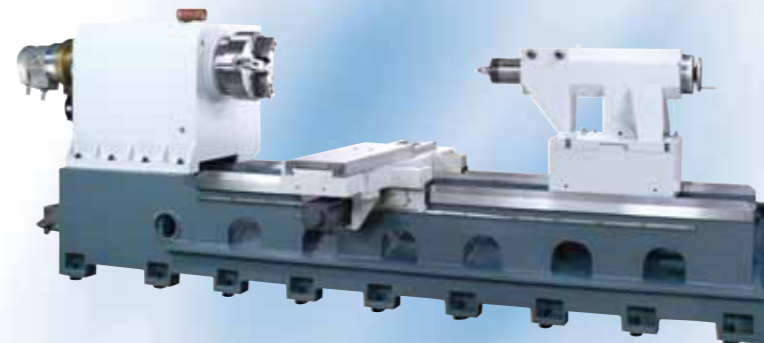
• L&W Machine Tools Ltd reserves the right to alter any mechanical specification without prior notice in the interests of product development.

Standard Accessories:

- Fagor 80055i/A TC Control
- Lubricate equipment
- Center sleeve / center
- Leveling bolts & pads
- Electrical hardwheel (MPG)
- Automatic speed change
- Working light
- Chip conveyer

Optional Accessories:

- Manual tool post (4T)
- Electrical servo toolpost (H4)
- Hydraulic turret (V8/V12)
- Powerful turret (V8/V12)
- C axis & SAUTER electric turret (VDI 50)
- Steady rest
- Follow rest
- Rotating center MT#6
- Siemens / Fanuc controller

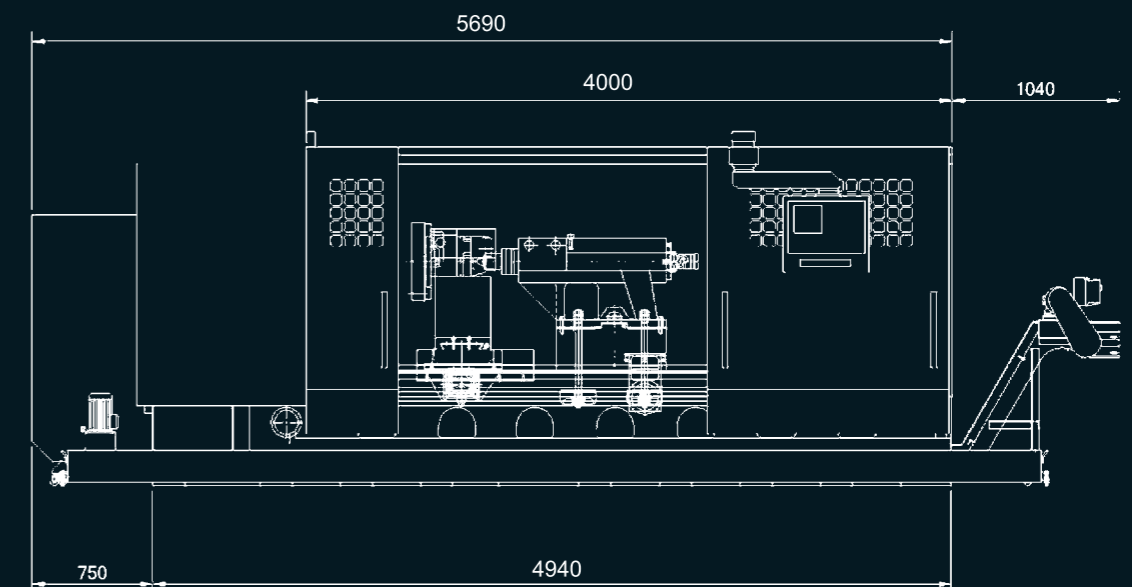


L&W MACHINE TOOLS, INC.

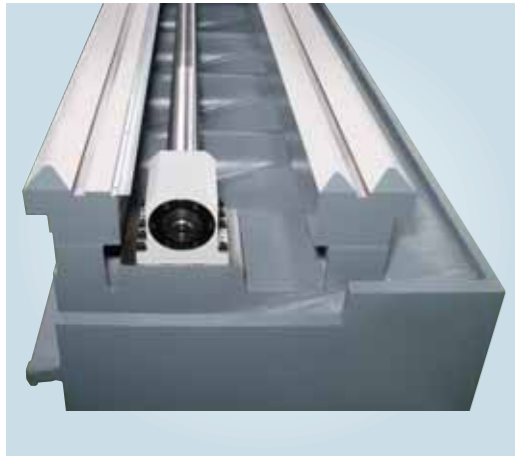
Factory: No. 53, Ho Tso St., Feng Yuan, Taiwan
 Export Office: 9F-8, No.62, Ta Ya Road, Taichung, Taiwan
 Tel : +886-4-2201-4701 Fax: +886-4-2203-6013, 2207-0371
 http://www.lw-machinetools.com • E-mail: lwmachin@ms31.hinet.net



Extra Large Spindle Bore &
Heavy Duty Floor Type Turning Center
FB-51 series



Features



High Rigid Bed

The bed and stand are made of one piece Meehanite cast iron which is annealed treatment to eliminate internal residual stress and more stable, that could be resisted vibration while keep cutting.



Tailstock

Rigid constructed tailstock is able to facilitate making precision turning and drilling Tailstock quill is hardened and precision ground

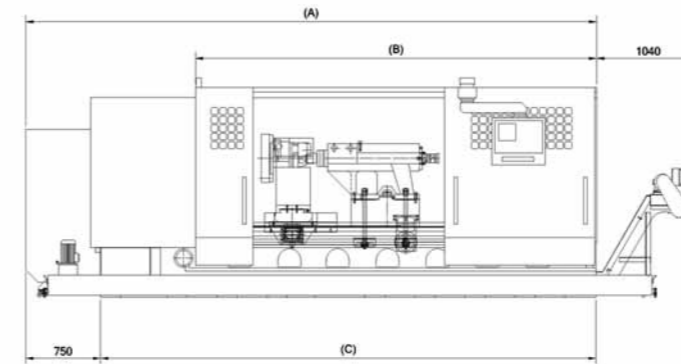


Electrical cabinet

Safely designed of electrical cabinet is easy to maintain and install, the 24V protecting voltage won't harm the operator while receiving a shock.

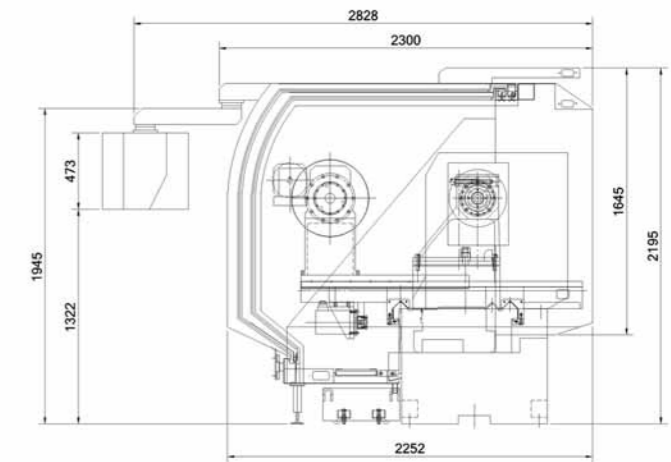


Technical data



MODEL	FB-5160	FB-5180	FB-5160	FB-51120	FB-51240
A	5690	6690	7690	8690	9690
B	4000	5000	6000	7000	8000
C	4940	5940	6940	7940	8940

unit: mm



Options



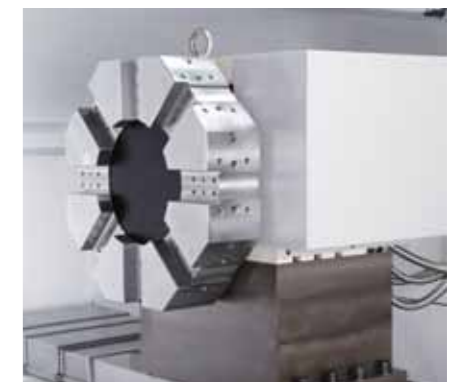
steady rest (120~300mm)



steady rest (300 ~ 600 mm)



working piece supporter(400~800mm)



V8 Hydraulic turret



H4 Electrical Tool Post