



Anniversary Years

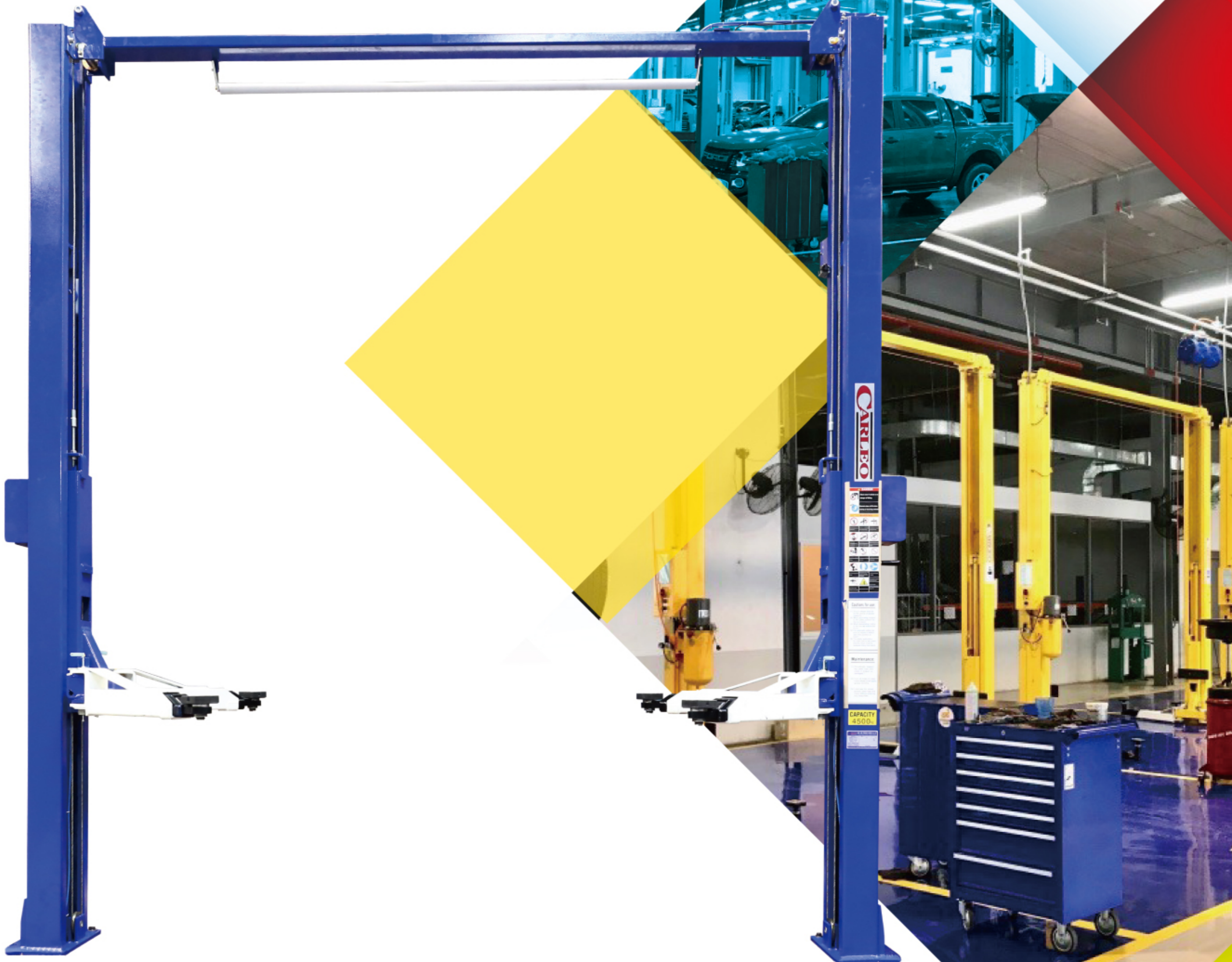
Towards a new future



Quick/Safe/Strong/Powerful

SL-303SBW-N3 Capacity: 4.5 tons

TWO POST CLEAR FLOOR LIFT



SGS **CE**

www.carleo.com.tw

Unlocked

Locked

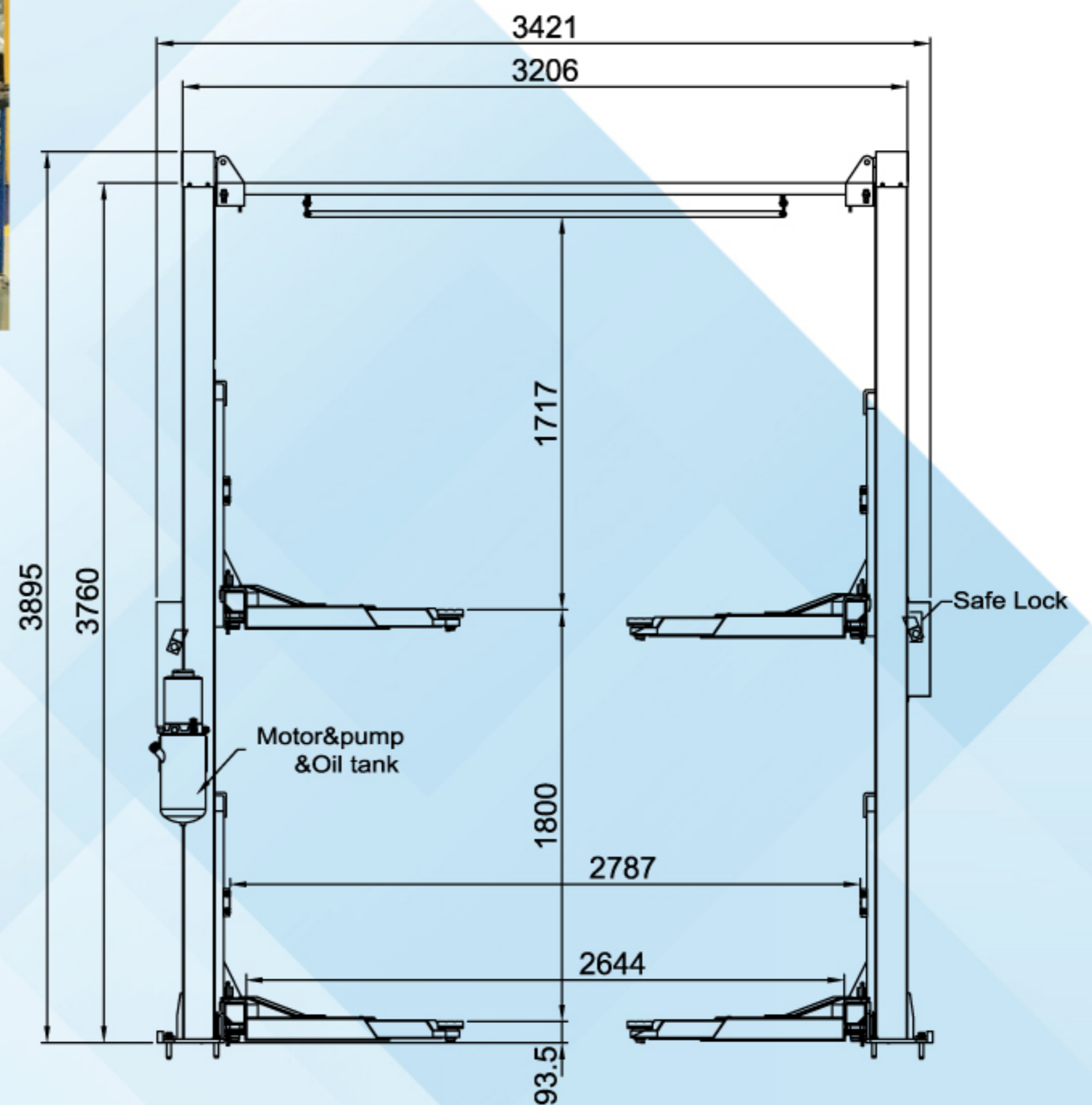
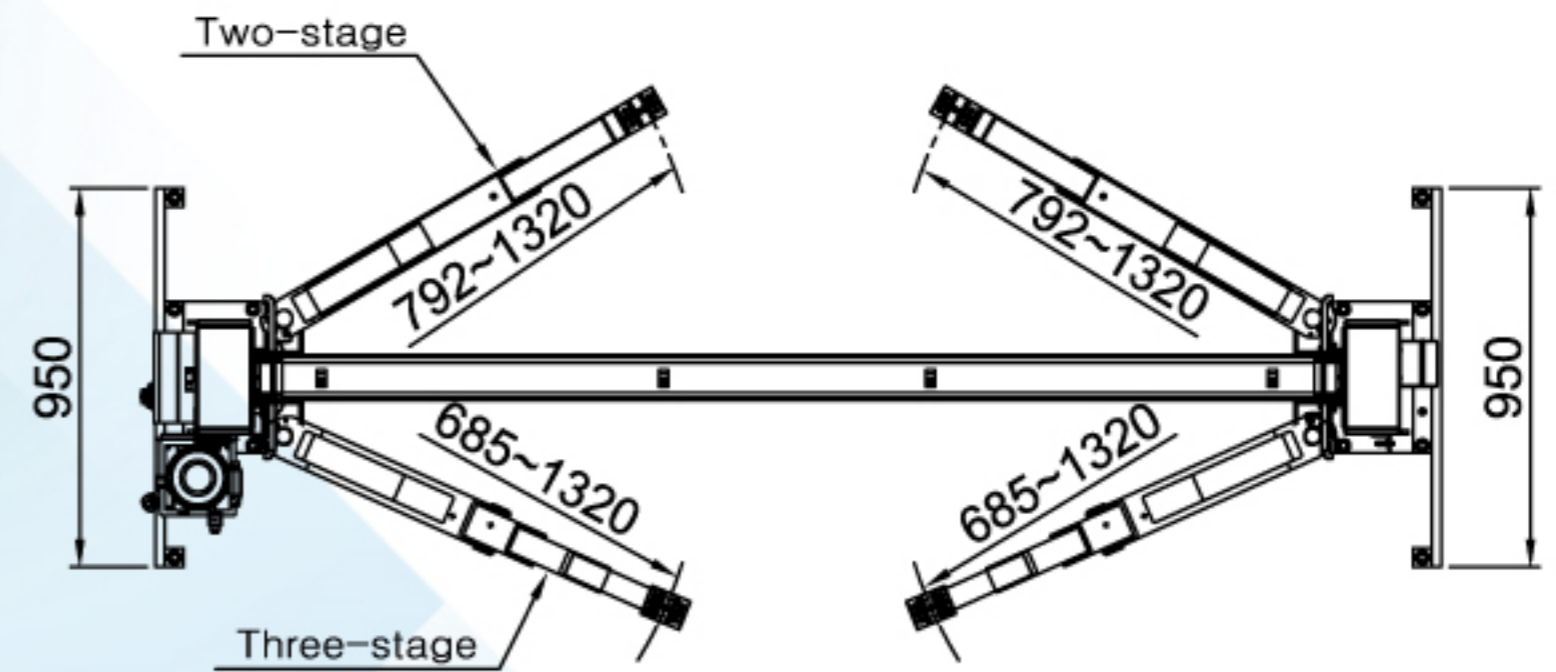


95001L 95002S

Fixed Automatically
auto fixed after loading

Min Height 93.5mm

Option



MODEL	MAX LOADING WEIGHT	LIFTING HEIGHT	HORSEPOWER	VOLTAGE	WIRE	LIFTING TIME	OPERATION	CONTROL
SL-303SBW-N3	4500Kg	1800 m/m	2HP	AC 220 AC 380 AC 415	8mm Adjust balance	About 38 sec	Hydraulic	Hand operated + Electric

CARLEO GROUP

Ming Lurn Precision Machine Co.,LTD
Hsieh Lurn Precision Machine Co.,LTD

TEL:+886-4-2699-6655 FAX:+886-4-2699-0939

E-mail: lift@carleo.com.tw ♦ http:// www.carleo.com.tw

Head Factory : No.66,Lane 2,Sec.2, Shatian Rd, Dadu District,
Taichung, 43244 Taiwan

Taichung Factory : No.2,30th Rd.,Industrial Park,
Taichung, 40768 Taiwan