

Pressure Compensated Flow Control Valve

Screw Type

Knob Type

Solenoid Type

Solenoid & Modular Type

Temperature and Pressure Compensated Flow Control Valve



Contents

FKC	04
Screw Type	
FKC-L	06
FKC-R	08
Knob Type	
FKC-C	10
Solenoid Type	
FKC-S	12
Solenoid & Modular Type	
MFS	14
TFS	16
Temperature and Pressure Compensated Flow Control Valve	
FG, FCG.....	18

FKC

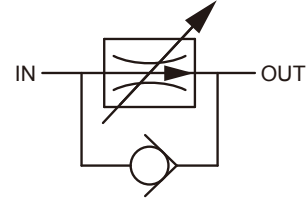


FKC-02



FKC-03

SYMBOLS



ORDER CODES

FKC - 02 - 04

1 2 3

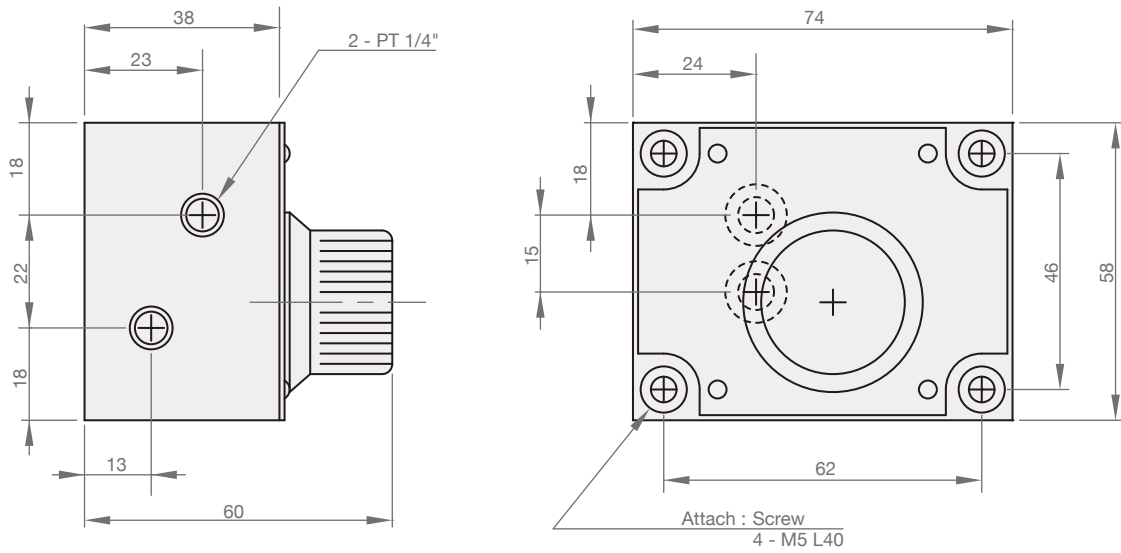
1	▶ Model Name	FKC	
2	▶ Thread Connection	02	PT 1/4"
		03	PT 3/8"
3	▶ Max. Operational Flow	01	1 l/min
		02	2 l/min
		04	4 l/min
		08	8 l/min

MODEL SPEC.

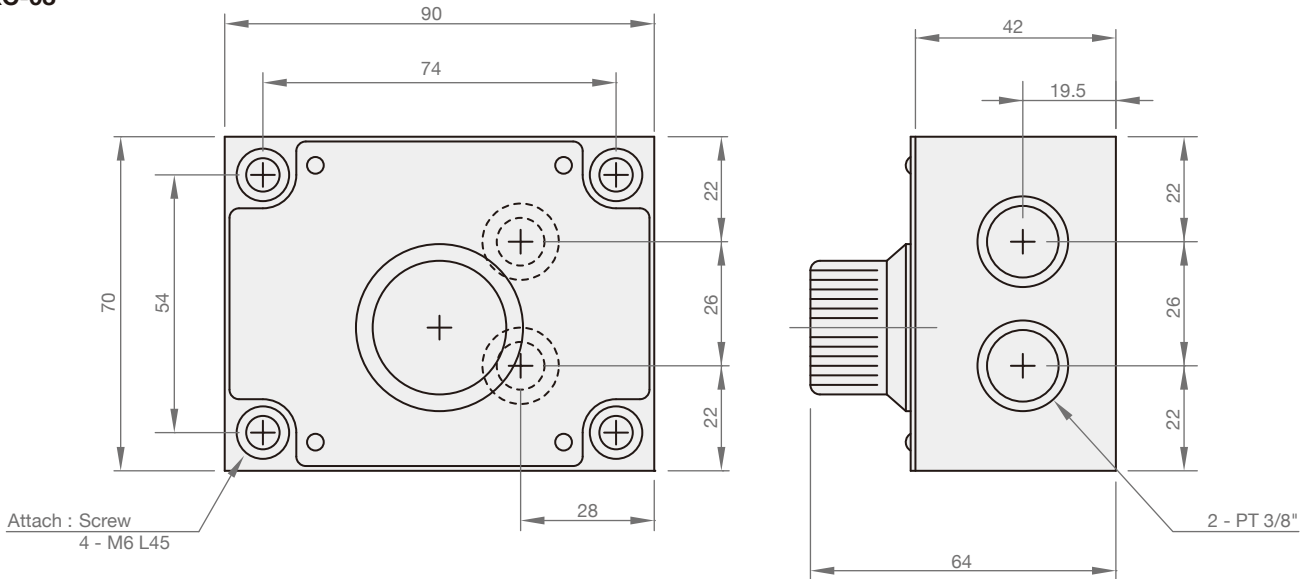
Model	Free Flow (l/min)	Max. Operational Pressure (kgf/cm ²)	Max. Operational Flow (l/min)	Weight (kg)
FKC-02	30	150	1, 2, 4, 8	1.2
FKC-03	50	150	1, 2, 4, 8	2

* The most common max. operational flow is 4 l/min.

► FKC-02



► FKC-03



FKC-L

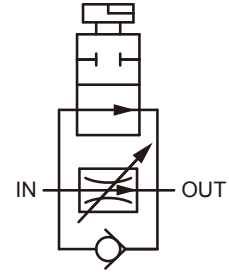


FKC-02L



FKC-03L

SYMBOLS



ORDER CODES

FKC - 02 L - 04

①
②
③
④

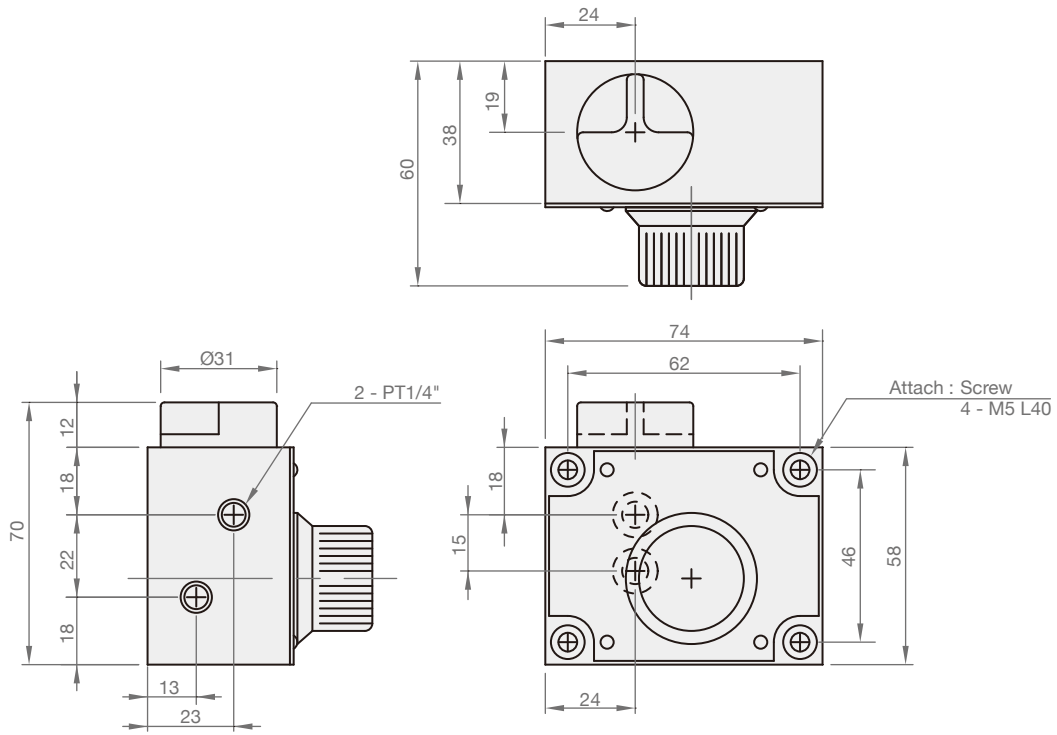
①	Model Name	FKC	
②	Thread Connection	02	PT 1/4"
		03	PT 3/8"
③	Knob Side	L	knob on the left side
④	Max. Operational Flow	01	1 l/min
		02	2 l/min
		04	4 l/min
		08	8 l/min

MODEL SPEC.

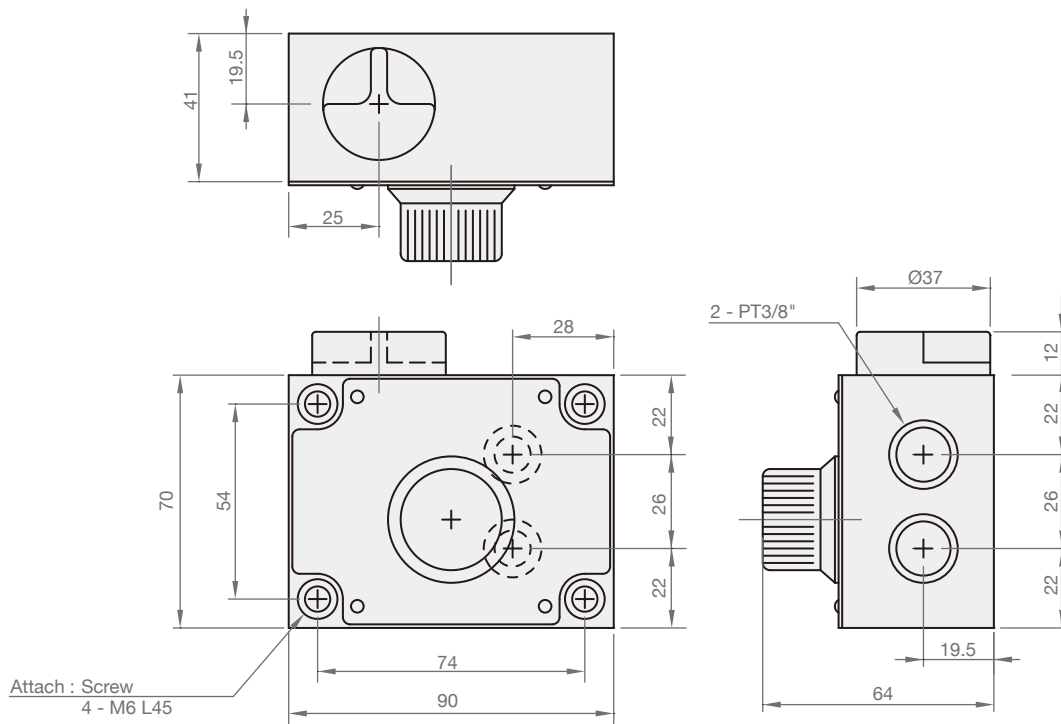
Model	Free Flow (l/min)	Max. Operational Pressure (kgf/cm ²)	Max. Operational Flow (l/min)	Weight (kg)
FKC-02L	30	70	1, 2, 4, 8	1.3
FKC-03L	50	70	1, 2, 4, 8	2.1

* The most common max. operational flow is 4 l/min.

▶ FKC-02L



▶ FKC-03L



FKC-R

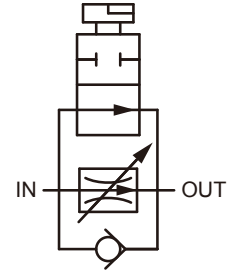


FKC-02R



FKC-03R

SYMBOLS



ORDER CODES

FKC - **02** **R** - **04**

1
2
3
4

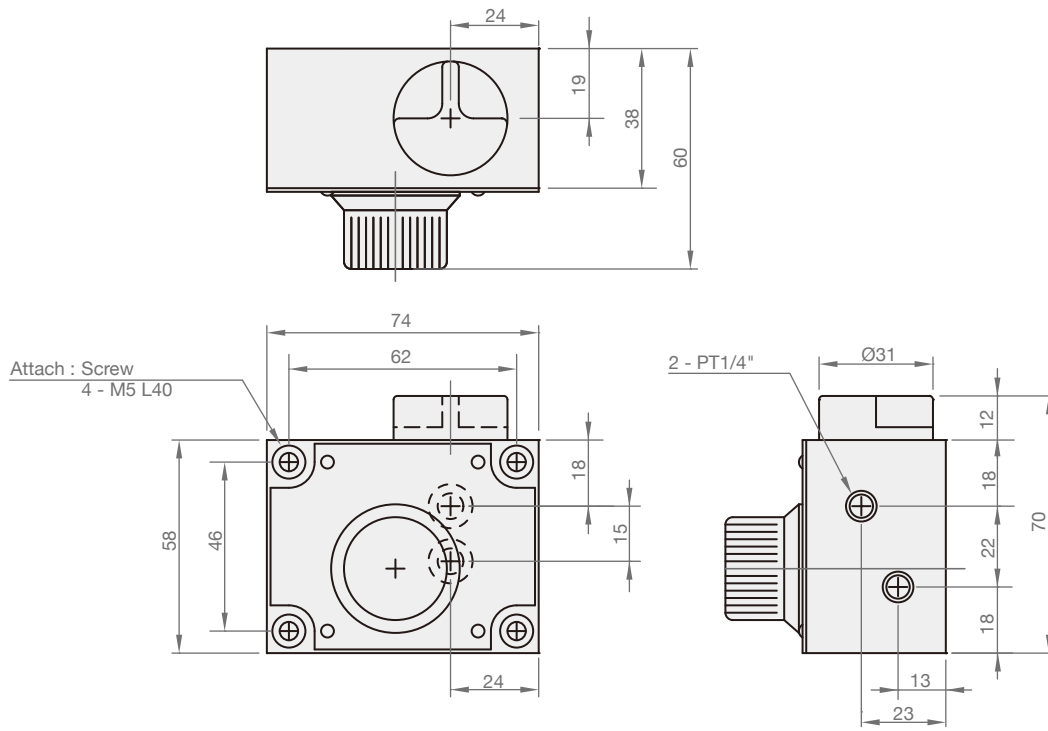
1	Model Name	FKC	
2	Thread Connection	02	PT 1/4"
		03	PT 3/8"
3	Knob Side	R	knob on the right side
4	Max. Operational Flow	01	1 l/min
		02	2 l/min
		04	4 l/min
		08	8 l/min

MODEL SPEC.

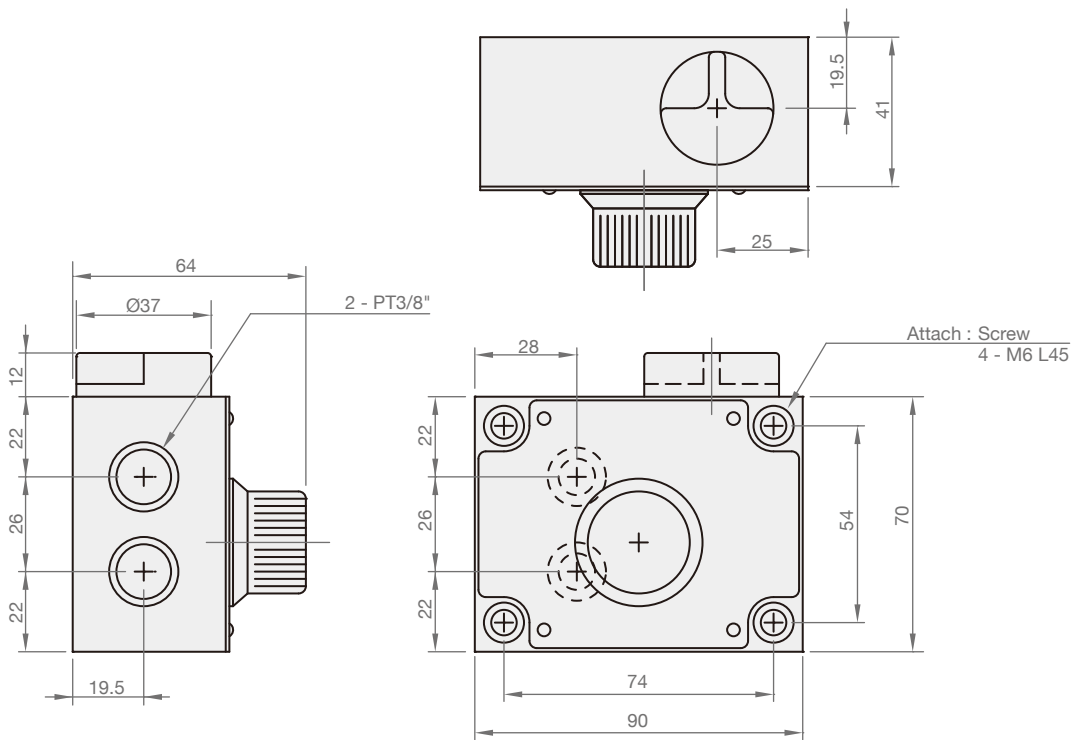
Model	Free Flow (l/min)	Max. Operational Pressure (kgf/cm ²)	Max. Operational Flow (l/min)	Weight (kg)
FKC-02R	30	70	1, 2, 4, 8	1.3
FKC-03R	50	70	1, 2, 4, 8	2.1

* The most common max. operational flow is 4 l/min.

► FKC-02R



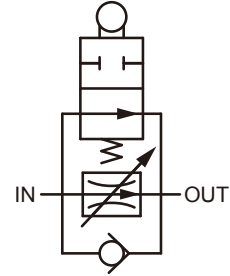
► FKC-03R



FKC-C



SYMBOLS



ORDER CODES

FKC - **02** **C** - **04**

1 2 3 4

1	Model Name	FKC	
2	Thread Connection	02	PT 1/4"
		03	PT 3/8"
3	Knob Side	C	knob type
4	Max. Operational Flow	01	1 l/min
		02	2 l/min
		04	4 l/min
		08	8 l/min

MODEL SPEC.

Model	Free Flow (l/min)	Max. Operational Pressure (kgf/cm ²)	Max. Operational Flow (l/min)	Weight (kg)
FKC-02C	30	150	1, 2, 4, 8	1.3
FKC-03C	50	150	1, 2, 4, 8	2.1

* The most common max. operational flow is 4 l/min.

FKC-S

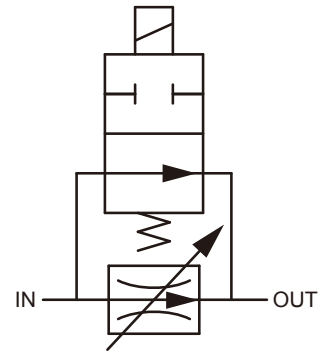


FKC-02S



FKC-03S

SYMBOLS



ORDER CODES

FKC - 02 S - 04 - A1

1
2
3
4
5

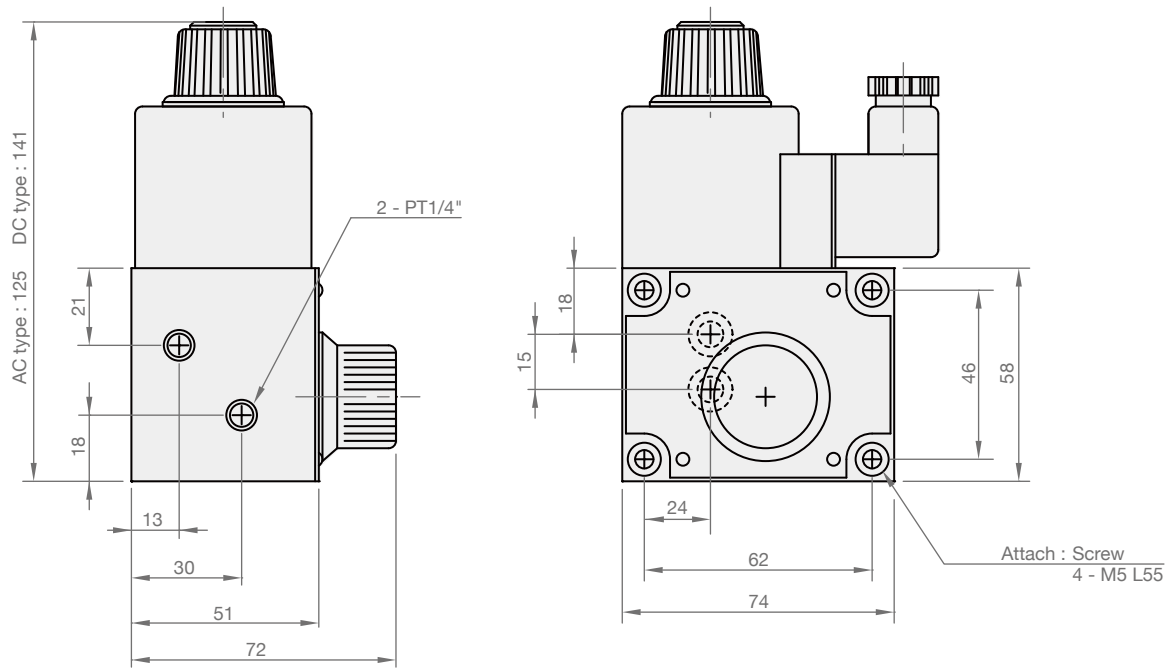
1	Model Name	FKC	
2	Thread Connection	02	PT 1/4"
		03	PT 3/8"
3	Solenoid Type	S	
4	Max. Operational Flow	01	1 l/min
		02	2 l/min
		04	4 l/min
		08	8 l/min
5	Power Source	A1	AC 110V, 50/60Hz
		A2	AC 220V, 50/60Hz
		D1	DC 12V
		D2	DC 24V

MODEL SPEC.

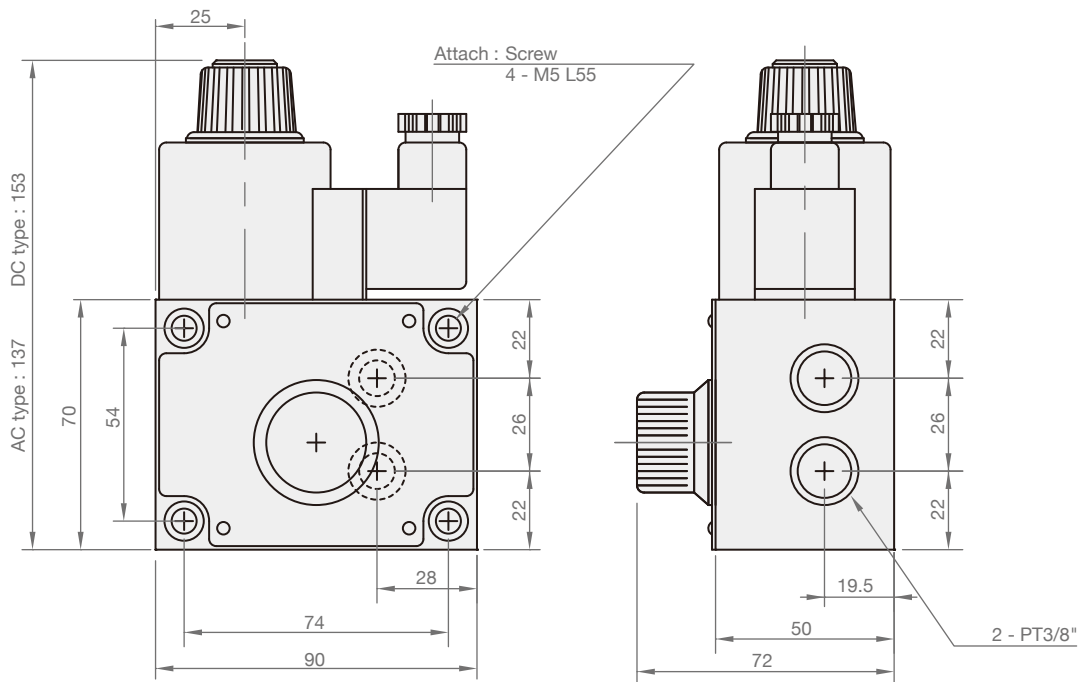
Model	Free Flow (l/min)	Max. Operational Pressure (kgf/cm ²)	Max. Operational Flow (l/min)	Weight (kg)	
				AC type	DC type
FKC-02S	30	150	1, 2, 4, 8	1.6	1.8
FKC-03S	50	150	1, 2, 4, 8	2.4	2.6

* The most common max. operational flow is 4 l/min.

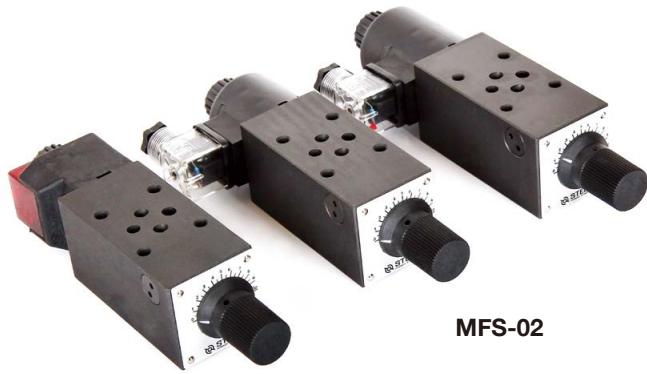
► FKC-02S



► FKC-03S



MFS

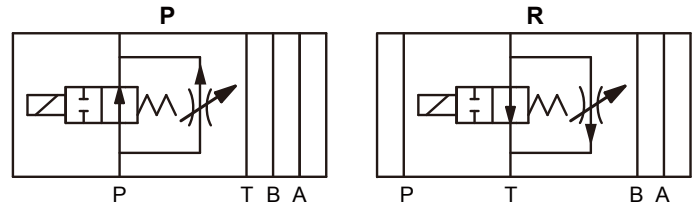


MFS-02



MFS-03

SYMBOLS



ORDER CODES

MFS - **02** **B** - **04** **R** - **A1**

1 2 3 4 5 6

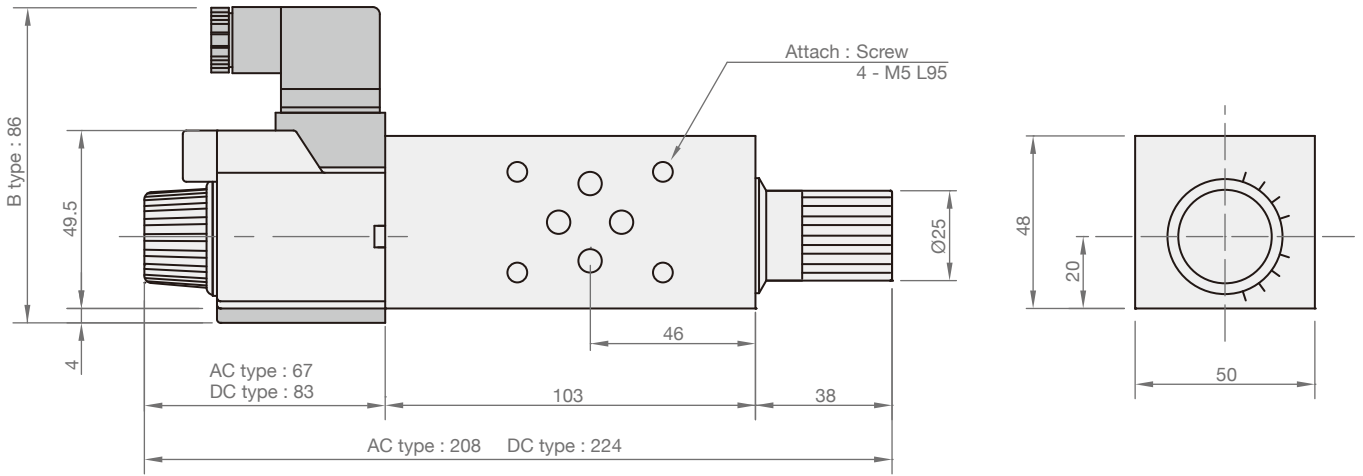
1	Model Name	MFS	
2	Thread Connection	02	1/4"
		03	3/8"
3	Solenoid Appearance	A	standard type
		B	DIN connector type
4	Max. Operational Flow	01	1 l/min
		02	2 l/min
		04	4 l/min
		08	8 l/min
5	Hydraulic Circuit Type	R	
		P	
6	Power Source	A1	AC 110V, 50/60Hz
		A2	AC 220V, 50/60Hz
		D1	DC 12V
		D2	DC 24V

MODEL SPEC.

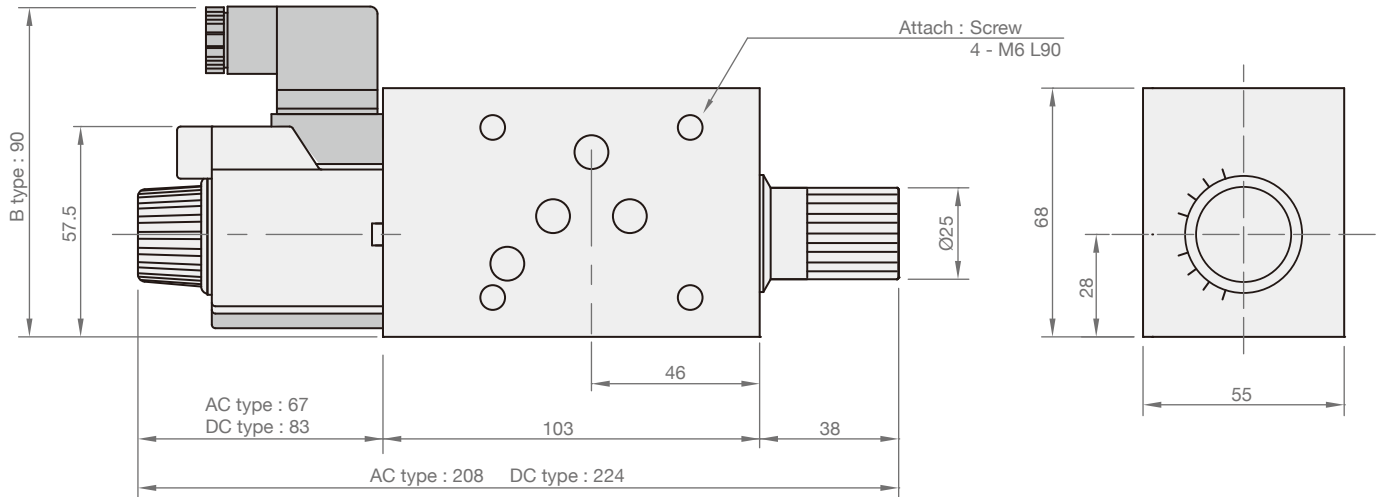
Model	Free Flow (l/min)	Max. Operational Pressure (kgf/cm ²)	Max. Operational Flow (l/min)	Weight (kg)	
				AC type	DC type
MFS-02	30	150	1, 2, 4, 8	2.4	2.6
MFS-03	50	150	1, 2, 4, 8	3.4	3.6

* The most common max. operational flow is 4 l/min.

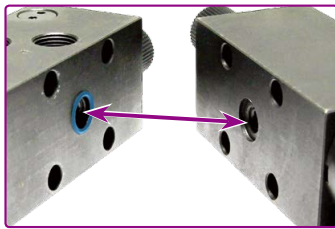
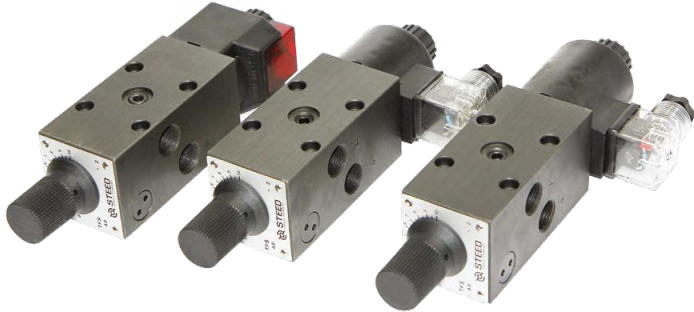
► **MFS-02**



► **MFS-03**

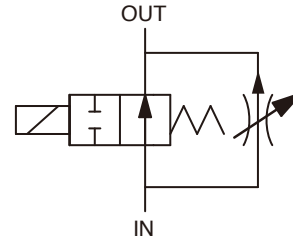


TFS



If you need a two-speed flow control, please remove the oil blocker, and put P12 seal on the connector.

SYMBOLS



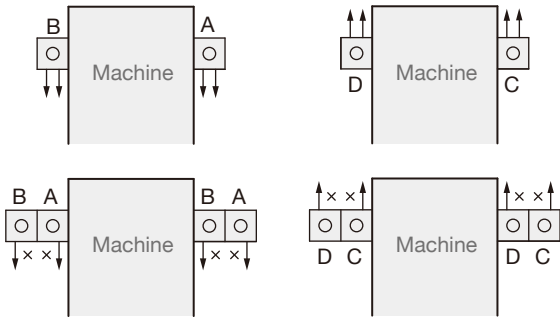
ORDER CODES

TFS - **04** **A** - **A1**

1 2 3 4

1	Model Name	TFS	
2	Max. Operational Flow	01	1 l/min
		02	2 l/min
		04	4 l/min
		08	8 l/min
3	Installation Type	A, B, C, D	
4	Power Source	A1	AC 110V, 50/60Hz
		A2	AC 220V, 50/60Hz
		D1	DC 12V
		D2	DC 24V

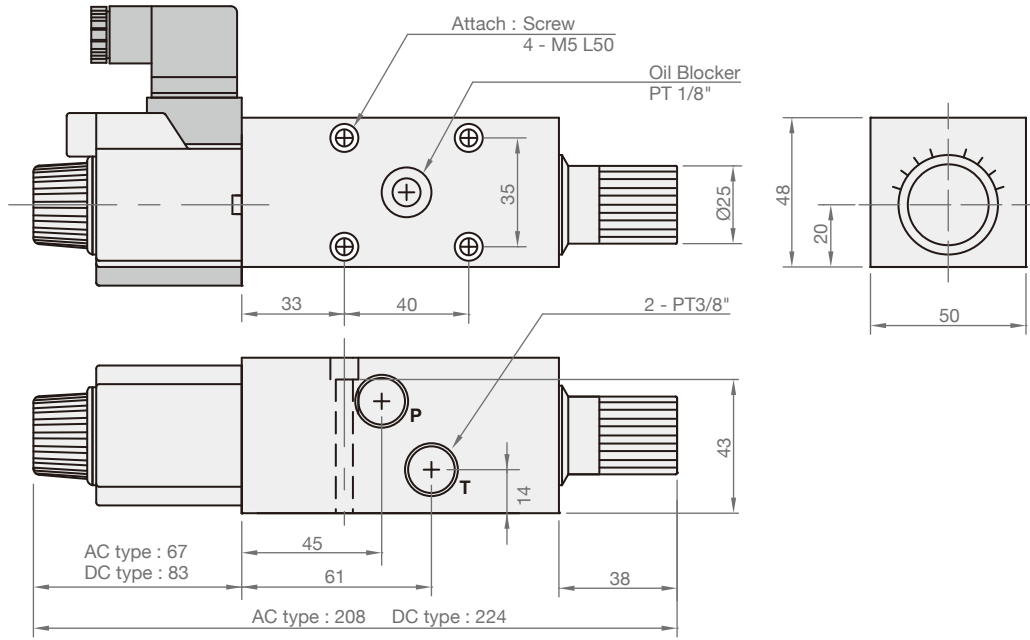
INSTALLATION TYPE



MODEL SPEC.

Model	Free Flow (l/min)	Max. Operational Pressure (kgf/cm ²)	Max. Operational Flow (l/min)	Weight (kg)	
				AC type	DC type
TFS	50	150	1, 2, 4, 8	2.4	2.6

* The most common max. operational flow is 4 l/min.



FG, FCG

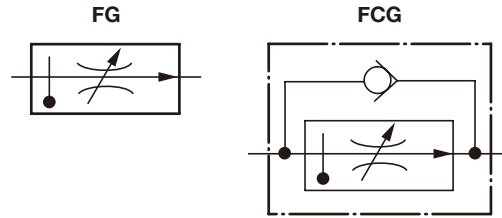


FG, FCG-01



FG, FCG-02

SYMBOLS



ORDER CODES

FCG - **02** **G** - **30** - **N** - **50**

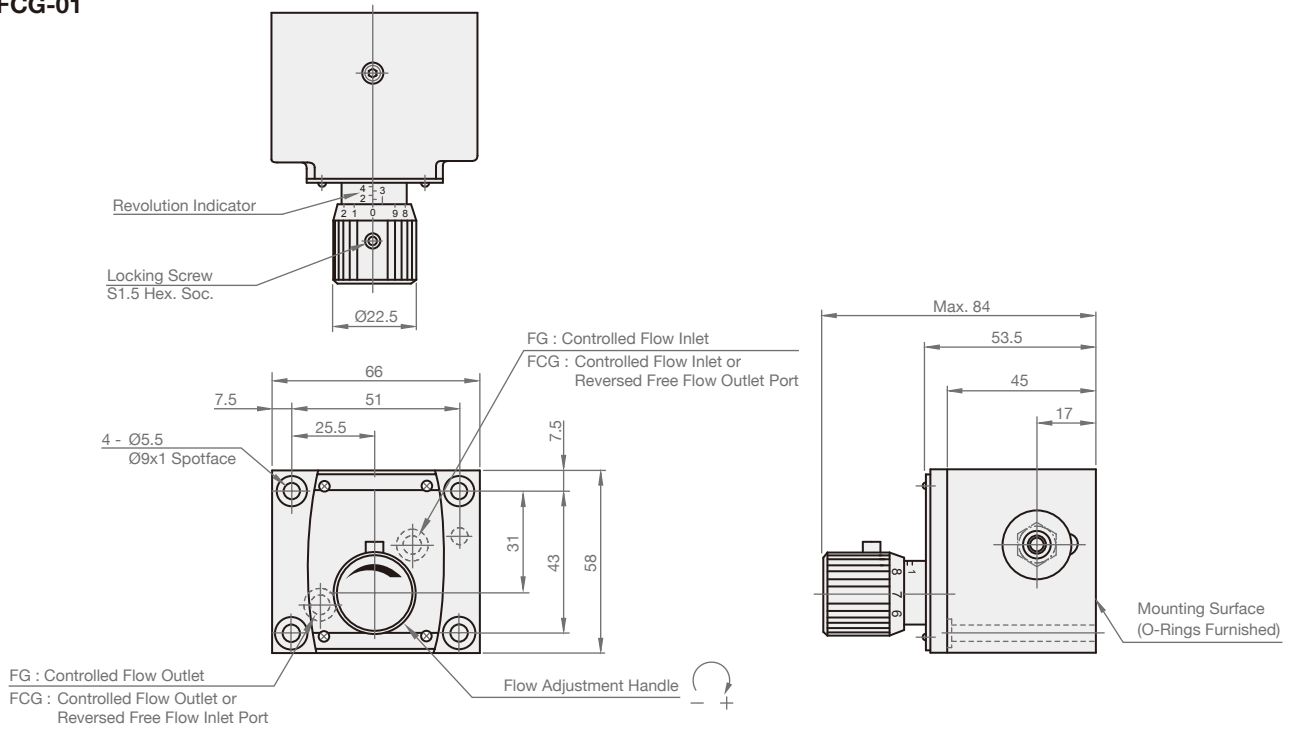
1 2 3 4 5 6

1	▶ Model Name	FG	flow control valve
		FCG	flow control valve with check valve
2	▶ Thread Connection	01	1/8" PT thread
		02	3/8" PT thread
3	▶ Mounting Type	G	sub-plate mounted
4	▶ Max. Flow Rate	8	8 l/min
		30	30 l/min
5	▶ Pressure and Temperature Compensated	N	
6	▶ Design Number	50	

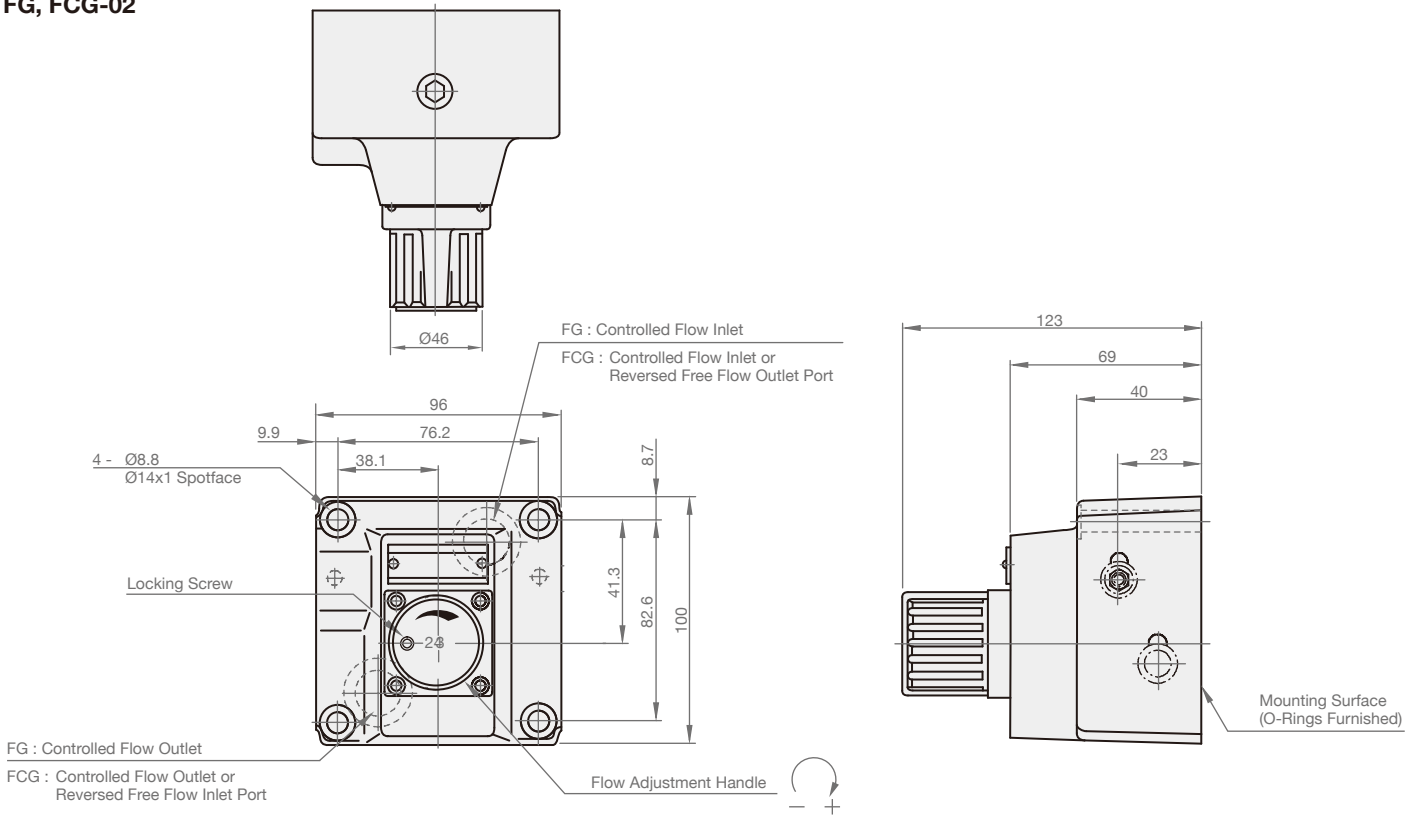
MODEL SPEC.

Model	Max. Metered Flow Capacity (l/min)	Max. Pressure (kgf/cm ²)	Weight (kg)	Attachment
FG-01G-8 FCG-01G-8	0.02 ~ 8	140	1.4	Screw: M5 L55 - 4 pieces O-ring: 1B-P9 - 1 set
FG-02G-30 FCG-02G-30	0.05 ~ 30	210	4.1	Screw: M8 L50 - 4 pieces O-ring: 1B-P18 - 1 set

► FG, FCG-01



► FG, FCG-02



Steed Machinery Co., Ltd.

No. 28, Ruiguang St., South Dist.,
Taichung City 40249,
Taiwan
Tel : +886-4-2285-4867
Fax : +886-4-2285-2848
Email : info@steedmachinery.com.tw

more information
www.steedmachinery.com.tw

